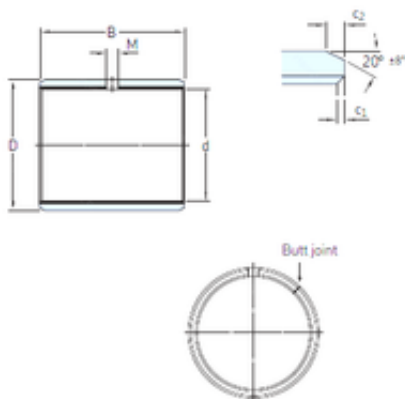




Rolamento Han-PN CO., LTD.

101,6 mm x 106,363 mm x 95,25 mm SKF PCZ
6460 M Rolamentos simples



Bearing No. PCZ 6460 M

Size	101.6x106.363x95.25 mm
Bore Diameter	101,6 mm
Outer Diameter	106,363 mm
Width	95,25 mm
d	101,6 mm
D	106,363 mm
B	95,25 mm
c1 min	0,2 mm
c2 min	1,2 mm
M	8 mm
Weight	0,51 Kg
Basic dynamic load rating (C)	1 140 kN
c ₁ min.	0.2 mm
c ₁ max.	1 mm
c ₂ min.	1.2 mm
c ₂ max.	2.4 mm
± 8	20 °
Shaft diameter range min.	101.135 mm
Shaft diameter range max.	101.191 mm
Housing bore range min.	106.362 mm
Housing bore range max.	106.398 mm
Basic dynamic load rating - radial direction C	1140 kN
Basic static load rating - radial direction C ₀	2400 kN

PCZ 6460 M Bearing 2D drawings and 3D CAD models



Rolamento Han-PN CO., LTD.

Specific dynamic load factor K	120 N/mm ²
Specific static load factor K ₀	250 N/mm ²
Factor depending on material and bearing type K _M	1900
Permissible sliding velocity v min.	0 m/s
Permissible sliding velocity v max.	2.5 m/s
Coefficient of friction μ min.	0.02
Coefficient of friction μ max.	0.2
Mass bushing	0.51 kg