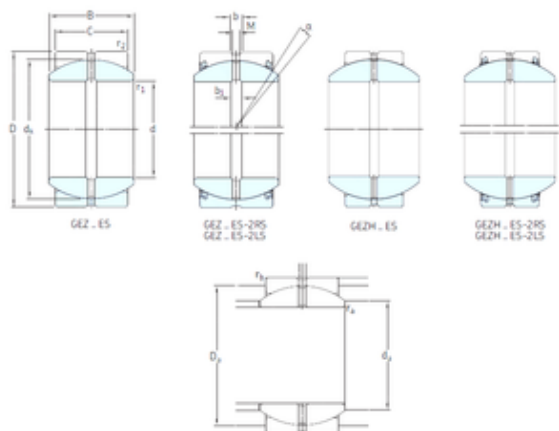




Rolamento Han-PN CO., LTD.



101,6 mm x 177,8 mm x 107,32 mm SKF
GEZH400ES-2LS Rolamentos simples

Bearing No. GEZH400ES-2LS

GEZH400ES-2LS Bearing 2D drawings and 3D CAD models

Size	101.6x177.8x107.32 mm
Bore Diameter	101,6 mm
Outer Diameter	177,8 mm
Width	107,32 mm
d	101,6 mm
D	177,8 mm
B	107,32 mm
C	85,73 mm
b	11 mm
b1	10 mm
dk	164,465 mm
r1 min.	2 mm
r2 min.	1,1 mm
M	8 mm
da min.	113 mm
da max	124,5 mm
Da min	157 mm
Da max.	171 mm
ra max.	2 mm
rb max.	1,1 mm
Angle	9 °
Weight	13,5 Kg
Basic dynamic load rating (C)	1120 kN