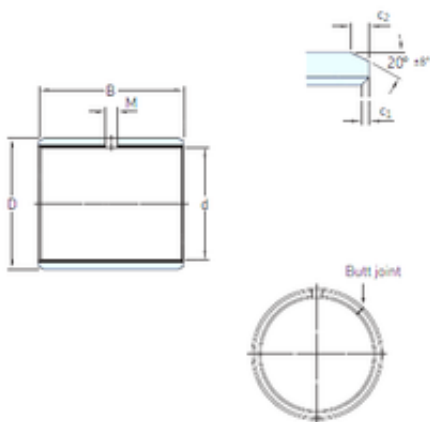




Rolamento Han-PN CO., LTD.

24 mm x 27 mm x 30 mm SKF PCM 242730 E Rolamentos simples



Bearing No. PCM 242730 E

Size	24x27x30 mm
Bore Diameter	24 mm
Outer Diameter	27 mm
Width	30 mm
d	24 mm
D	27 mm
B	30 mm
c1 min	0,1 mm
c2 min	0,2 mm
M	– mm
Weight	0,026 Kg
Basic dynamic load rating (C)	56 kN
Category	Plain Bearings
Inventory	0.0
Manufacturer Name	SKF
Minimum Buy Quantity	N/A
UNSPSC	23153417
Weight / Kilogram	0.767
Product Group	B04264
c ₁ min.	0.1 mm
c ₁ max.	0.7 mm
c ₂ min.	0.2 mm
c ₂ max.	1 mm
± 8	20 °
Tolerance shaft	f7

PCM 242730 E Bearing 2D drawings and 3D CAD models



Rolamento Han-PN CO., LTD.

Tolerance housing	H7
Basic dynamic load rating - radial direction C	56 kN
Basic static load rating - radial direction C_0	176 kN
Specific dynamic load factor K	80 N/mm ²
Specific static load factor K_0	250 N/mm ²
Factor depending on material and bearing type K_M	480
Permissible sliding velocity v min.	0 m/s
Permissible sliding velocity v max.	2 m/s
Coefficient of friction μ min.	0.03
Coefficient of friction μ max.	0.25
Mass bushing	0.026 kg