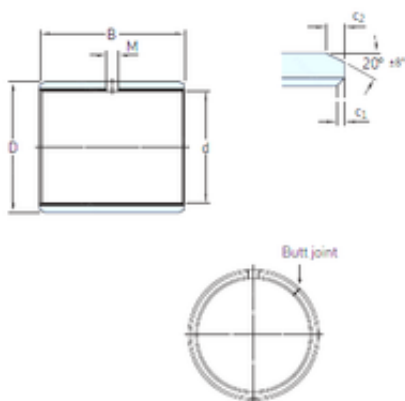




# Rolamento Han-PN CO., LTD.

44,45 mm x 49,213 mm x 38,1 mm SKF PCZ  
2824 E Rolamentos simples



Bearing No. PCZ 2824 E

Size	44.45x49.213x38.1 mm
Bore Diameter	44,45 mm
Outer Diameter	49,213 mm
Width	38,1 mm
d	44,45 mm
D	49,213 mm
B	38,1 mm
c1 min	0,2 mm
c2 min	1,2 mm
M	– mm
Weight	0,1 Kg
Basic dynamic load rating (C)	132 kN
c <sub>1</sub> min.	0.2 mm
c <sub>1</sub> max.	1 mm
c <sub>2</sub> min.	1.2 mm
c <sub>2</sub> max.	2.4 mm
± 8	20 °
Shaft diameter range min.	44.376 mm
Shaft diameter range max.	44.417 mm
Housing bore range min.	49.202 mm
Housing bore range max.	49.228 mm
Basic dynamic load rating - radial direction C	132 kN
Basic static load rating - radial direction C <sub>0</sub>	415 kN

PCZ 2824 E Bearing 2D drawings and 3D CAD models



## Rolamento Han-PN CO., LTD.

Specific dynamic load factor $K$	80 N/mm <sup>2</sup>
Specific static load factor $K_0$	250 N/mm <sup>2</sup>
Factor depending on material and bearing type $K_M$	480
Permissible sliding velocity $v$ min.	0 m/s
Permissible sliding velocity $v$ max.	2 m/s
Coefficient of friction $\mu$ min.	0.03
Coefficient of friction $\mu$ max.	0.25
Mass bushing	0.1 kg